

# Aluminum Alloy Flood Barriers

## Performance Characteristics

- Quickly assembles and disassembles
- Stackable for easy storage
- Ruggedized for over 10 years of service life
- Tight and secure with over 99% sealing

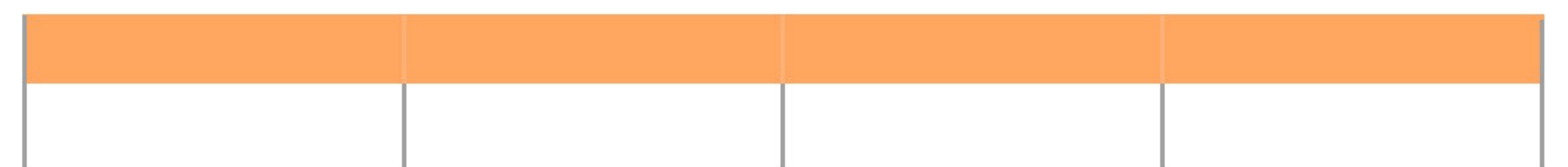
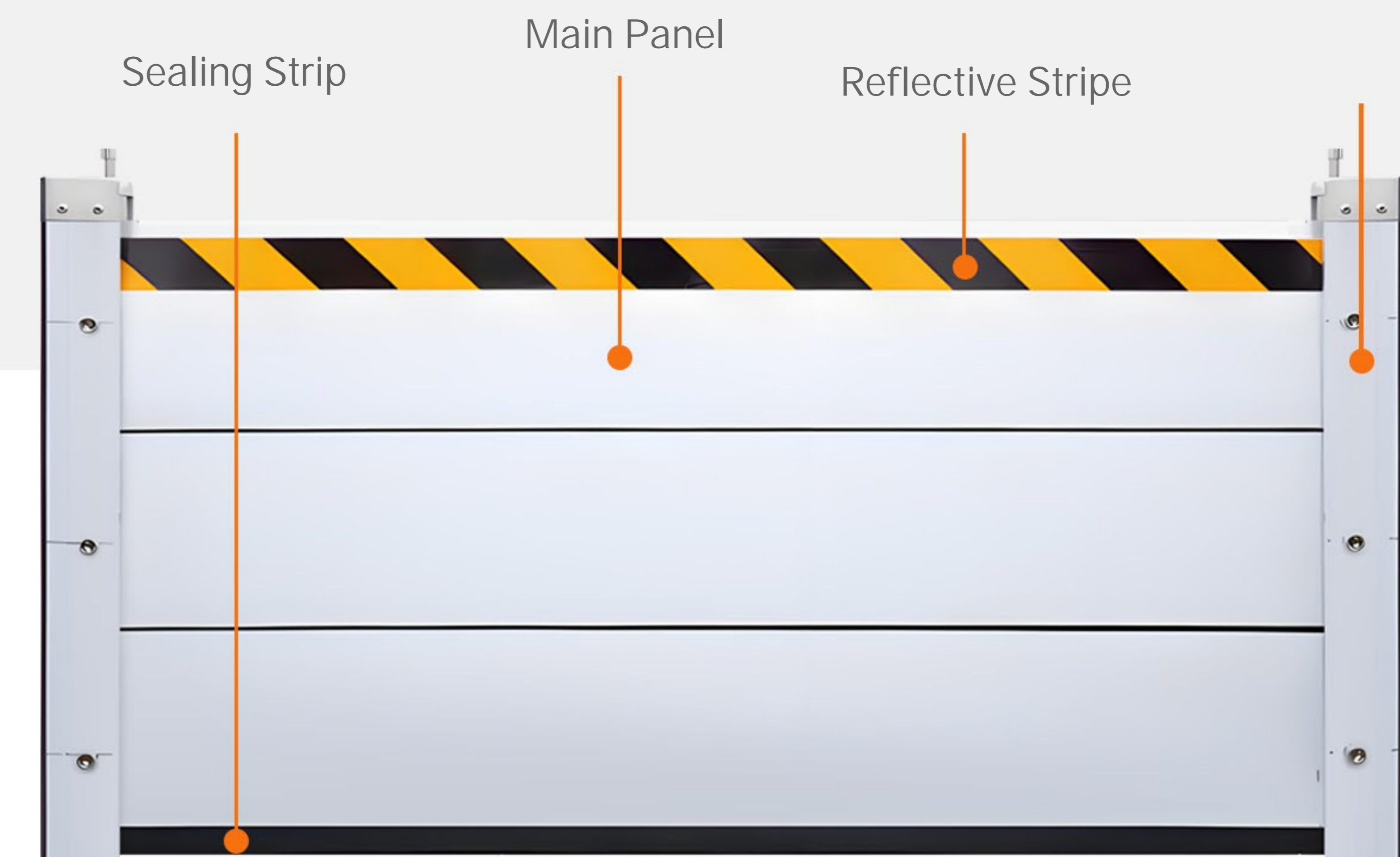


## Product Application

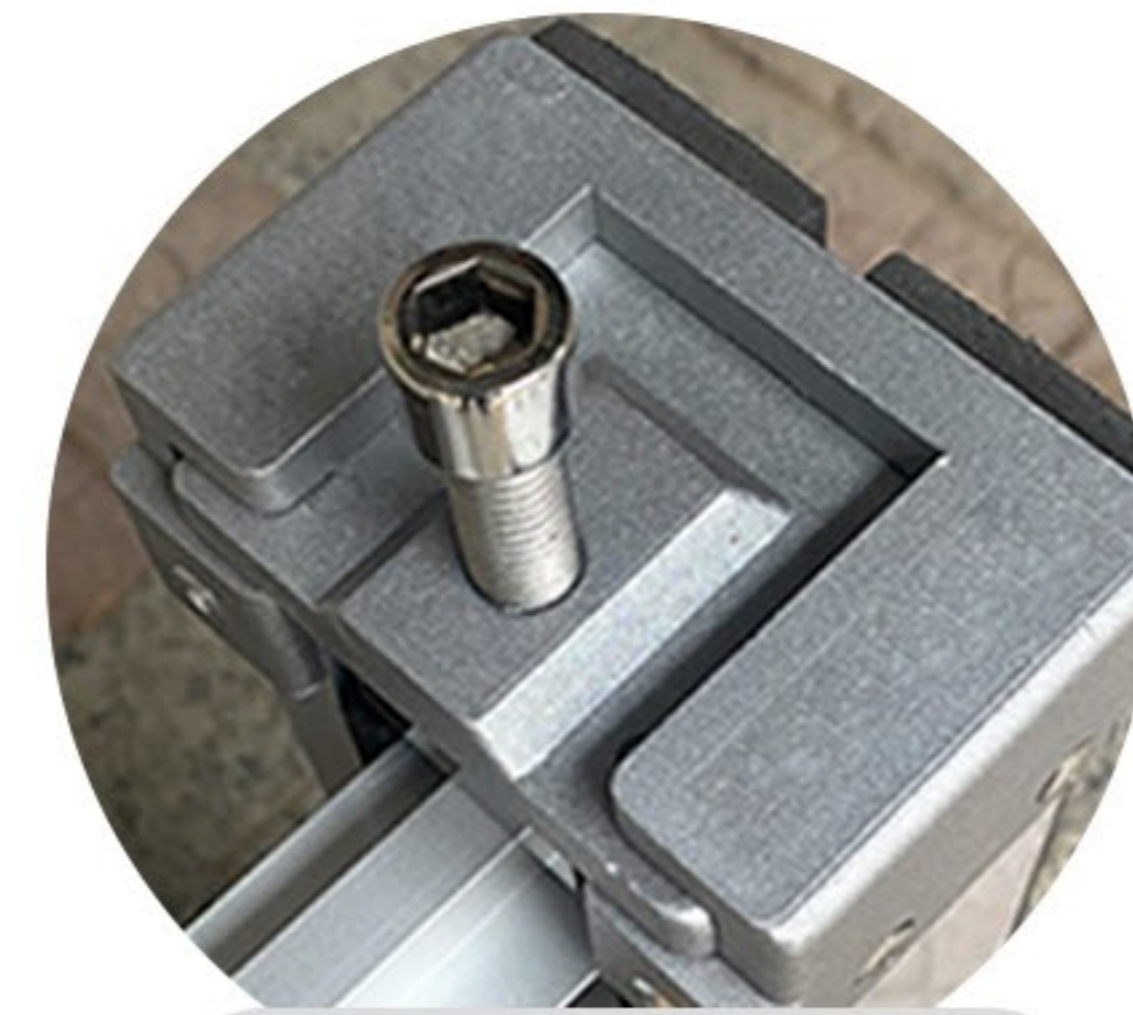
Suitable for urban shopping malls, garages, tourist attractions, stores, family homes, corporate offices, and factory workshops, this product effectively replaces traditional ratblocking boards. Designed for use in rainy and flooded conditions, it provides dual functionality to block both rats and water, and the material is strong.

## Product Technology

Modular design, easy to stack for storage, adopting EDPM waterproof strip, excellent sealing performance, reusable easy to install and convenient disassembly.



## Flood Barriers Details



Easy Disassembly



Upgrade sealing strip



Width for the board



Thickness for the top

01

Thickened column concave and convex design, close connection



04

Width-can be customized  
Height- Can be overlaid



02

Warning label - black and yellow reflective, eye-catching tips



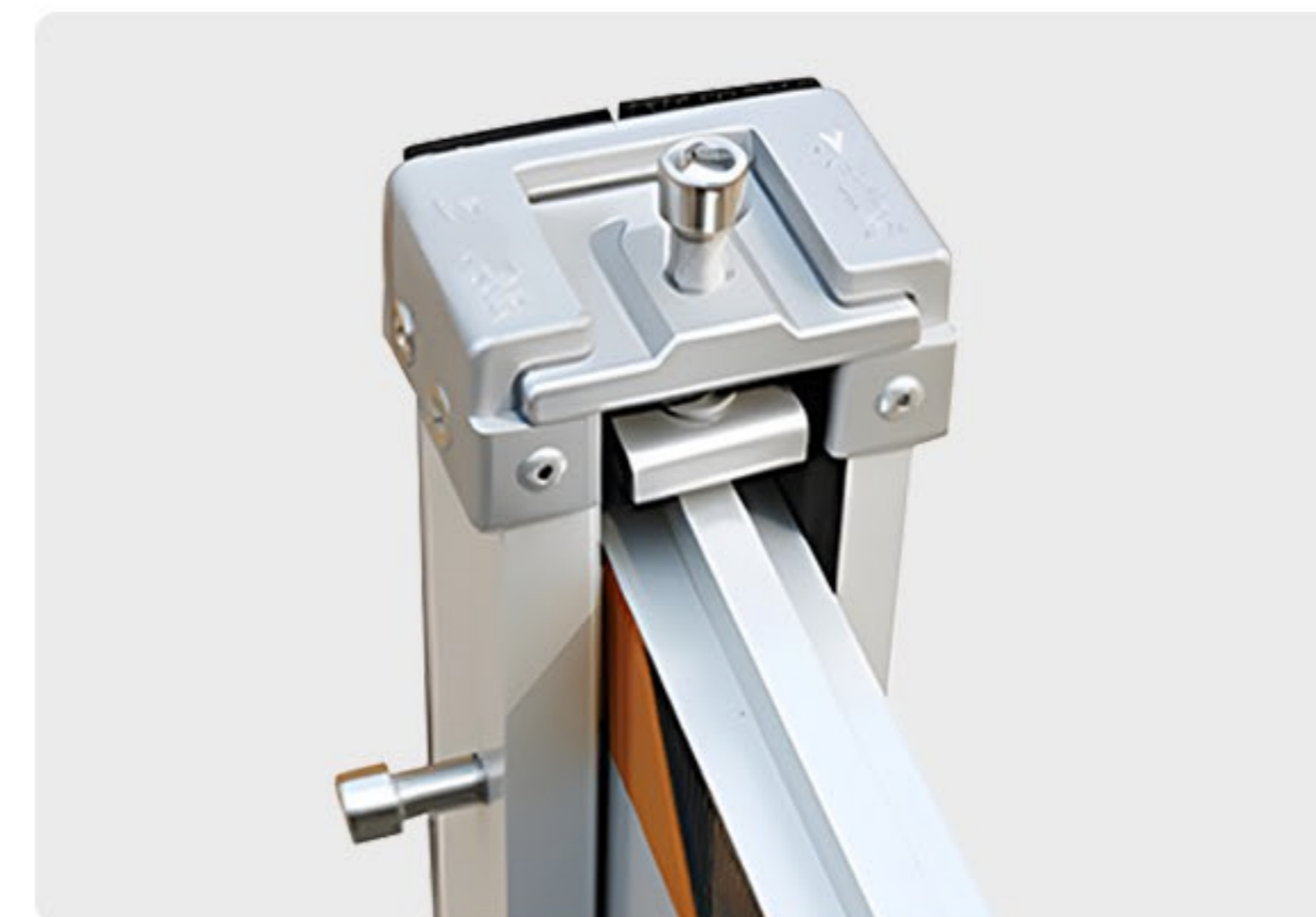
05

Installation accessories  
All stain-less steel



03

Column -integrated seamless casting



06

Thickened waterproof rubber strip - tight waterproof



## Flood Barrier Display Sample



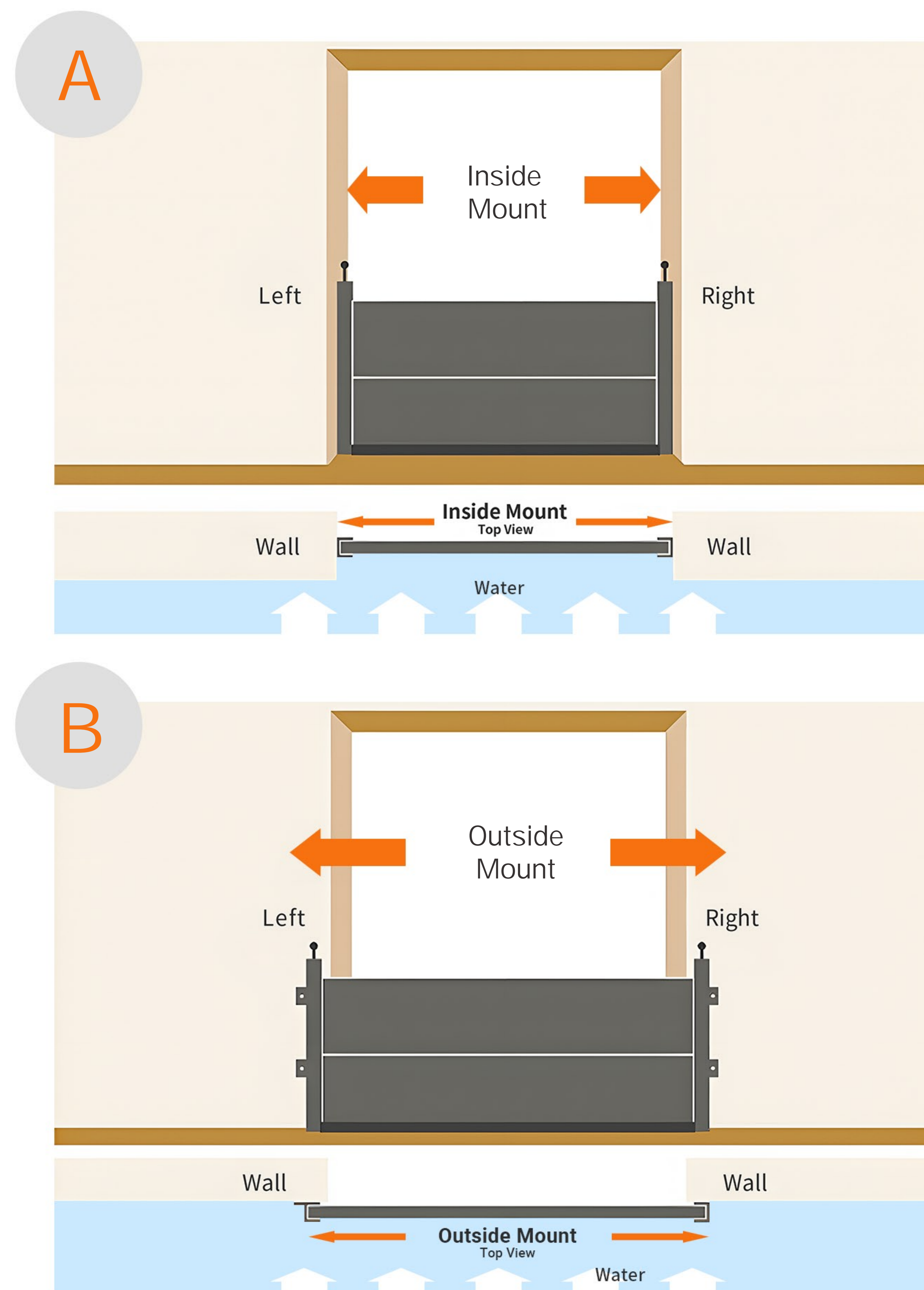
### With middle column and side column

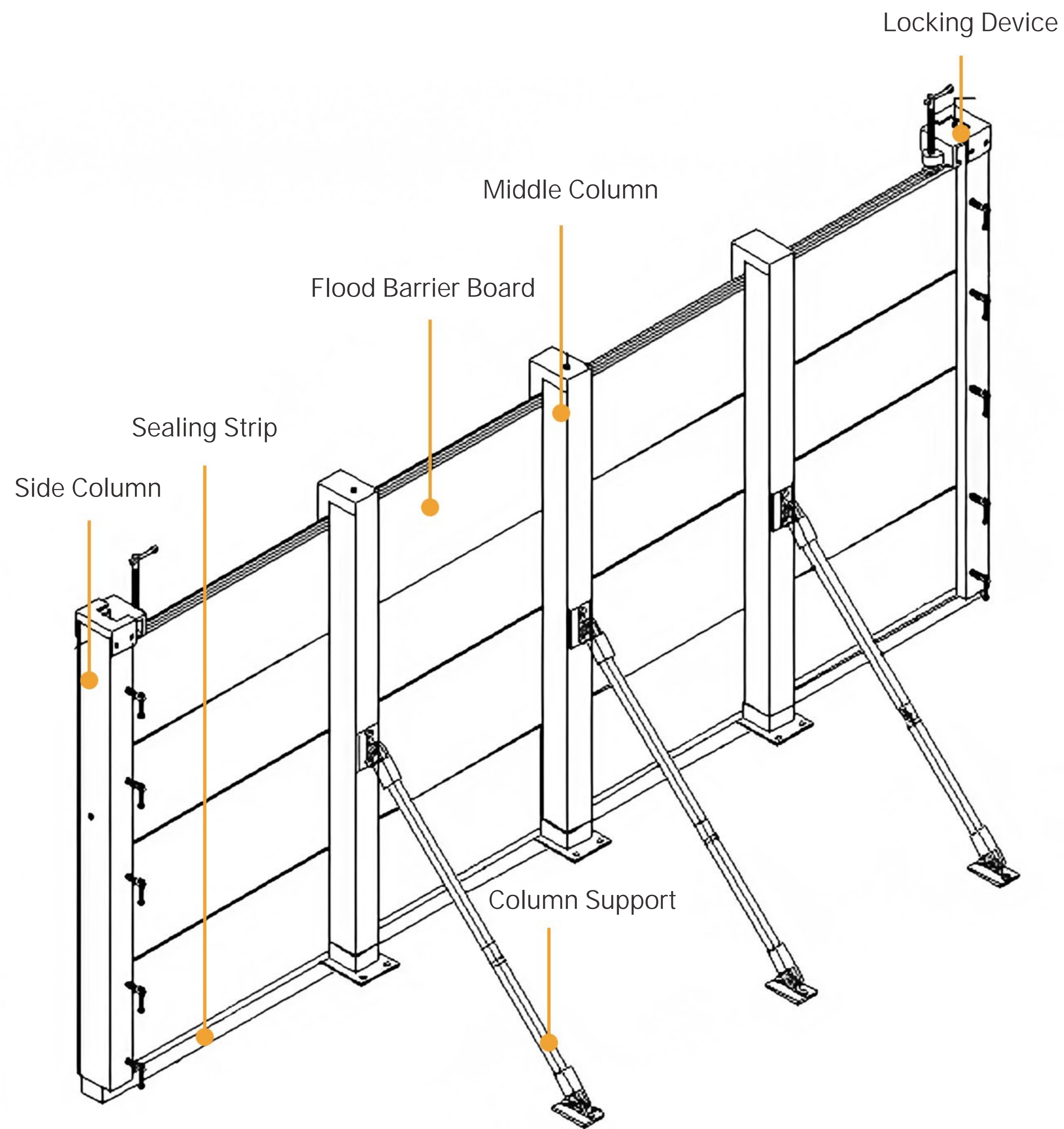
Single Board	L40*H20cm
Board Wall Thickness	1.5/2.0mm
Interior Column	One Piece
External Column	One Piece
Middle Column	One Piece

### Packing Dimension

Board Package	45cm*25cm*20cm
Columns Package	45cm*25cm*18cm
Total Weight	14kg

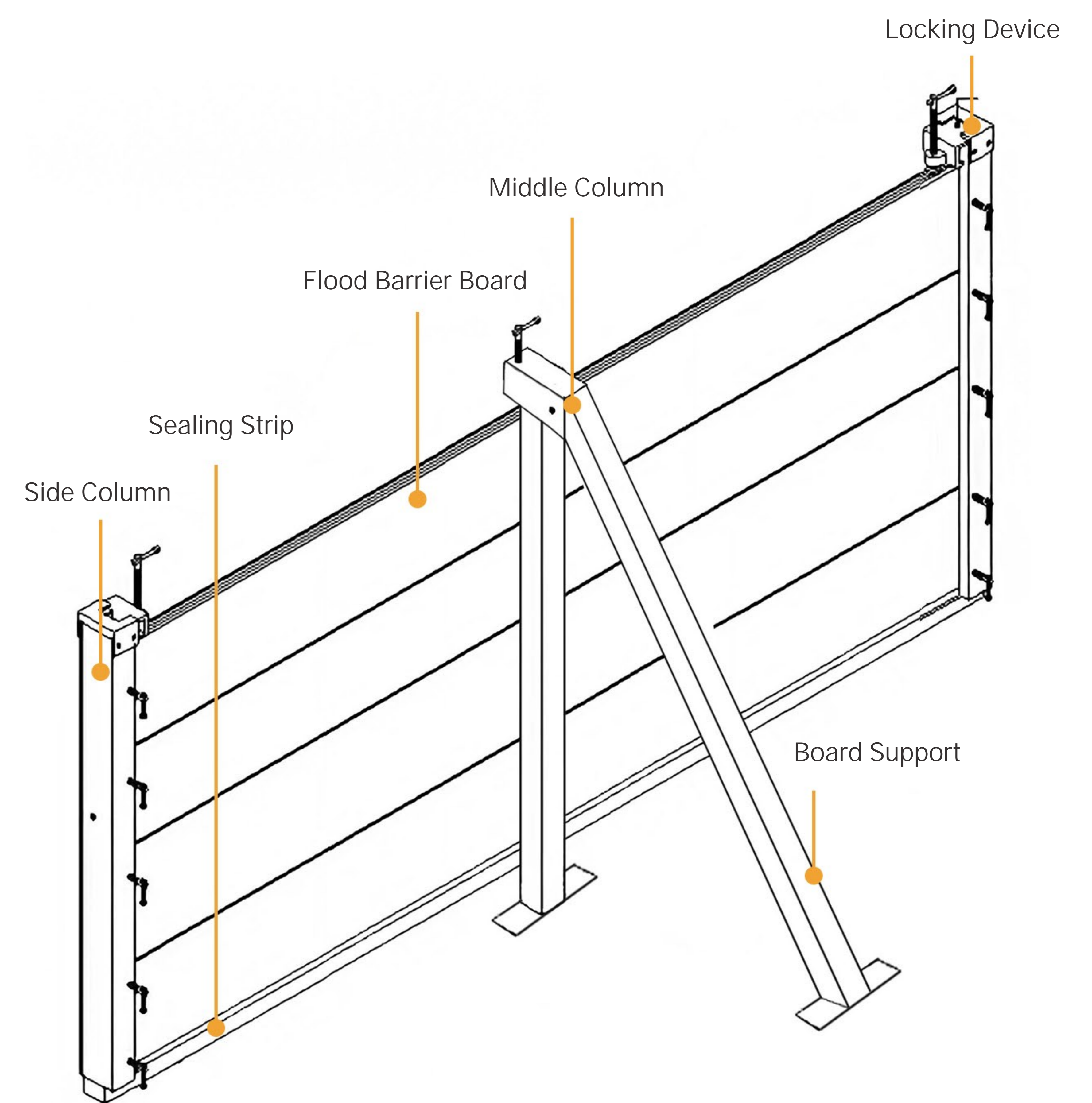
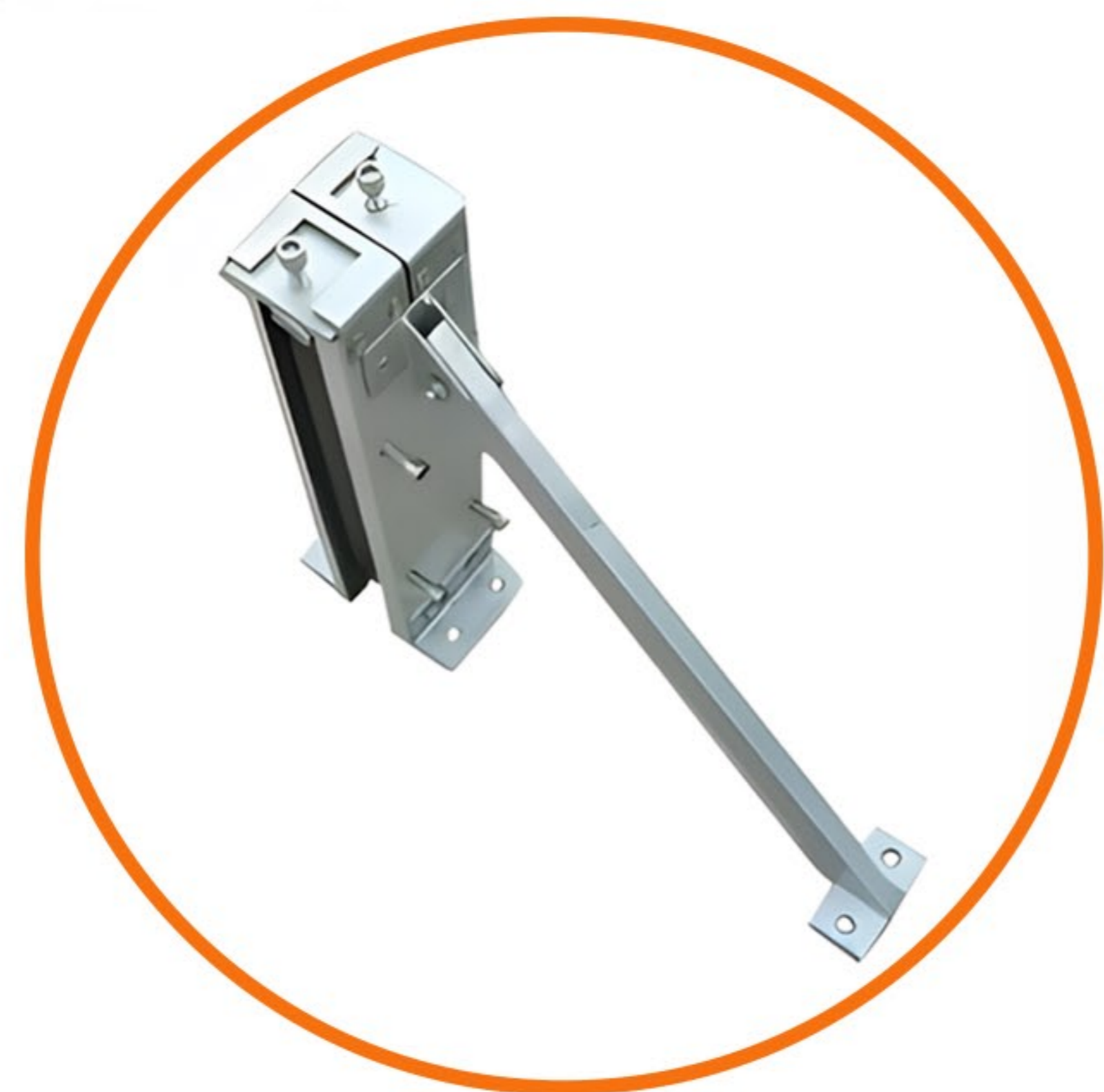
## Flood Barrier Mounting Options for Door





**Tips:**

The height over 60cm  
add middle column support

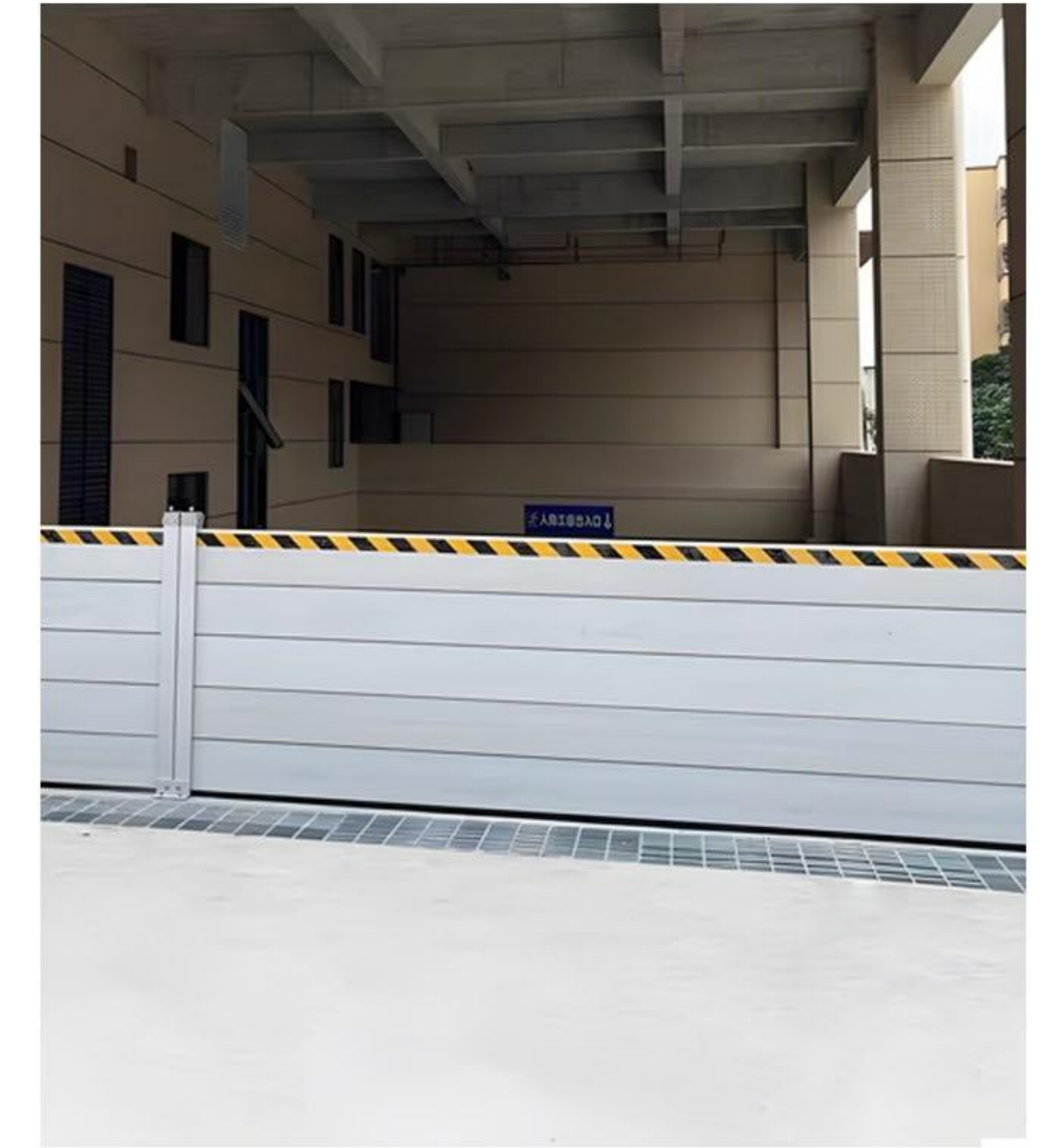


**Tips:**

The length of board more than 3m  
add board support



## Installation of Real Scenes



# Flood Barrier Mounting Options for Bank



With Support

No Support